



TEREX

HML32

Wheeled Excavator

OPERATING WEIGHT	18,963 lbs (8,600 kg)
NET ENGINE POWER	82 hp (60 kW)
MAX DIG DEPTH	13' 5" (4.08 m)
MAX REACH	24' 11" (7.58 m)



WHEELED EXCAVATOR
HML32

Operating Data, Standard Equipment

Operating weight "TPA" (SAE J 732)	18,963 lbs (8,600 kg)
Overall length in travel position, "TPA"	17' 17" (5.4 m)
Overall length in travel position, monobloc boom	20' 3" (6.2 m)
Overall length in transport position, "TPA"	20' 0" (6.1 m)
Overall length in transport position, monobloc boom	21' 4" (6.5 m)
Overall height in travel position	13' 1" (4.0 m)
Total width (twin tires)	8' 2" (2.5 m)
Total height over cab	9' 10" (3.0 m)
Tread width	6' 5" (1.94 m)
Wheelbase	7' 4" (2.2 m)
Ground clearance below cardan shaft	17" (430 mm)
Turning radius	23' 6" (7.2 m)
Uppercarriage tailswing	9' 10" (3.0 m)
Swing circle 180° / 360°	15' 1" / 19' 8" (4.6 / 6.0 m)
Breakout force (SAE J 1179)	11,970 lbs (53,200 N)
Ripping force (SAE J 1179)	9,585 lbs (42,600 N)

Specifications

Engine	
Manufacturer, model	Deutz, BF4 M 2012
Type	4-cylinder turbocharged diesel engine, Com II/EPA II
Combustion	4-stroke, direct injection
Displacement	247 in ³ (4.0 L)
Net power rating at 2,000 rpm (SAE J 1349)	82 hp (60 kW)
Cooling system	Water

Electrical System	
Operating voltage	12 V
Battery	12 V / 110 Ah / 850 A

Power Transmission	
Closed circuit independent of working hydraulics. Hydrostatic drive with automatic adjustment of drawbar pull and speed. All-wheel drive from reduction gear on rear axle via cardan shaft to front axle. Infinitely variable speed control in 2 speed ranges (forward and reverse):	
Working speed	0-3.7 mph (0-6 km/h)
Travel speed	0-12.4 mph (0-20 km/h)

Axles	
Front axle: Oscillating planetary drive axle.	
Rear axle: Rigid planetary drive axle.	
Oscillating angle	± 11.5°

Tires	
8.25-20, 14 PR twin tires	Standard

Brakes	
Service brake: Hydraulic dual-circuit pump accumulator brake acts on oil-immersed multi-disc brakes on front and rear axles.	
Excavator brake: Acts on front and rear axles through lockable service brake.	
Auxiliary brake: Hydrostatic drive provides dynamic braking.	
Parking brake: Hydraulic spring-loaded brake is electrically controlled.	

Steering	
Fully hydraulic controlled front axle with integrated steering cylinder.	
Maximum steering angle	32°

Swing system	
Hydrostatic drive with 2-stage planetary gear and axial piston fixed displacement motor also acts as wear-resistant brake. Additionally, an automatically controlled, spring-loaded multi-disc brake acts as parking brake when the pilot-controlled lever is in neutral position.	
Swing speed	0-10 rpm



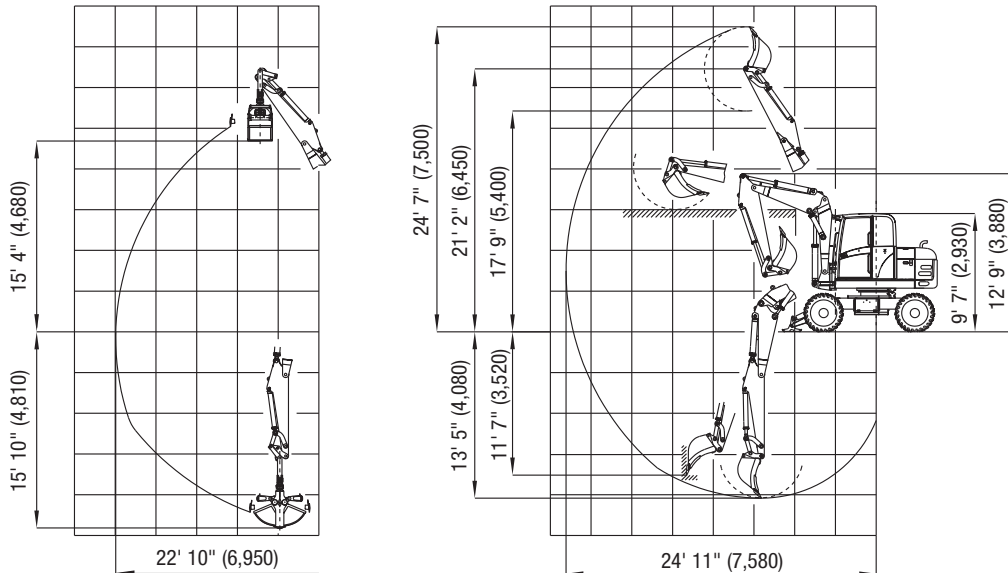
Hydraulic System	
Travel hydraulics: Closed circuit and independent from working hydraulics.	
Maximum pump capacity	38 gpm (142 Lpm) @ 6,100 psi (420 bar)
Working hydraulics: Axial piston pump with load-sensing and coupled with a load-independent flow division (LUDV). Simultaneous, independent control of all actions. Sensitive maneuvers irrespective of loads.	
Maximum pump capacity	38 gpm (142 Lpm)
Maximum working pressure	4,060 psi (280 bar)
Double gear pump for all positioning functions and swing movements. Pressure cut-off valve for sensitive and energy-saving swing movements.	
Pump capacities	11 + 7 gpm (40 + 26 Lpm)
Control circuit for work attachments:	
Maximum operating pressure	4,060 psi (280 bar)
Pump capacity (adjustable)	5 - 26 gpm (20 - 100 Lpm)

Knickmatik®	
Lateral parallel adjustment at total digging depth.	
Angle of articulation/lateral adjustment to the left	53°/34" (53°/870 mm)
Angle of articulation/lateral adjustment to the right	67°/39" (67°/990 mm)

Cab	
Sound-insulated, full-vision cab. Right-hand sliding window, safety glass window and skylight. Front window, supported by pneumatic springs, is slideable under cab roof.	
Cab heating with windshield defroster through hot water heat exchanger and 3-speed fan. Choice of fresh air/recirculating air and includes a fresh air filter.	
Hydraulically cushioned comfort seat with armrests and longitudinal, height and tilt adjustments. Operator control levers are adjustable in longitudinal position.	
Telescopic and tilt-adjustable steering column.	
Instrument panel with safety module.	
Working floodlights Halogen E-3.	

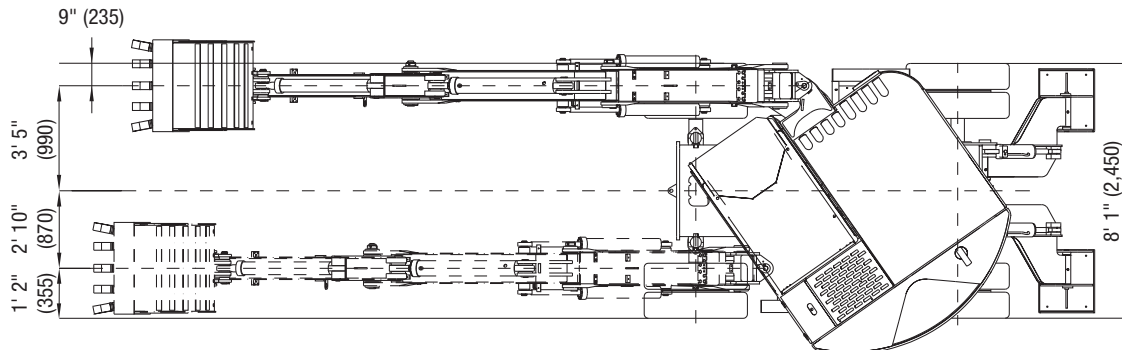
Fluid Capacities	
Fuel tank	50 gal (190 L)
Hydraulic system (including tank)	50 gal (190 L)

Dimensions: Two Piece Articulated Boom (All dimensions in millimeters)



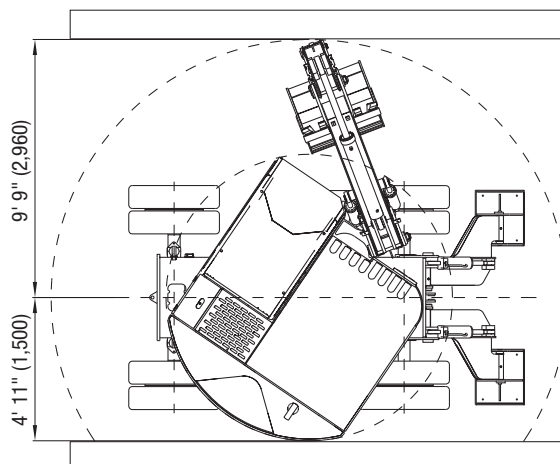
Work equipment: Two piece articulated boom with dipperstick 6' 6" (2000 mm), 8.25-20 tires

Excavation within the entire machine width (no repositioning of machine)

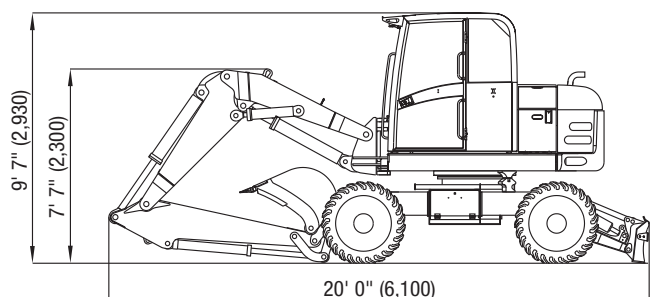


Lateral adjustment Left: 2' 10" (870 mm) Right: 3' 5" (990 mm)

Swing Circle-Top View



Transport Position



Wheeled Excavator HML32

Optional Attachments / Accessories

Tires	
500/45-20 (wide-base tires)	
365/70 R 18 MPT total width = 90.16" (2290 mm)	
Alternative tires on request.	

Optional booms	
Monobloc boom, dipperstick	6' 6" (2 m)
Monobloc boom, dipperstick / Offset boom 2' 9" (850 mm)	6' 6" (2 m)
Two-piece articulated boom, dipperstick	6' 6" (2 m)
Circular boom, dipperstick	5' 5" (1.65 m)

Outriggers	
Outrigger pads (flat or rubber-lined)	7' 6" (2.24 m)
Rear and front support blade (wide)	7' 6" or 8' 1" (2,290 or 2,460 mm)

Further accessories and attachments available on request.

Buckets (Quick-Attach System)	
Bucket, tapered	11.4"/3.35 ft ³ (290 mm/95 L)
Bucket, tapered	13.8"/4.06 ft ³ (350 mm/115 L)
Bucket, tapered	17.7"/5.65 ft ³ (450 mm/160 L)
Bucket	23.6"/8.48 ft ³ (600 mm/240 L)
Bucket	31"/11.83 ft ³ (800 mm/335 L)*
Bucket	35"/13.6 ft ³ (900 mm/385 L)*
Ditch-cleaning bucket	59"/9.53 ft ³ (1,500 mm/270 L)
Swing bucket, 2 x 40°	59"/12.2 ft ³ (1,500 mm/345 L)*

Other Options	
Air-cushioned driver's seat with longitudinal-horizontal suspension, seat and seatback heating • Independent diesel heating with timer • Air conditioning	
• 4-wheel steering • Steering change-over system for blade operation	
• Bucket control change-over when fork carrier is mounted • Open return for hydraulic hammer operation • Filling with biodegradable hydraulic oil, ester-based, VI 68 • Anti-theft device (immobilizer) • Set of lighting for cab (working floodlights front & rear) • Boom height limitation	

*Not permitted for every type of boom. Please inquire.

Lift Capacities - Two-piece articulated boom

		Load radius from the center of the ring gear															
		ENGLISH Measurements Unit: 1,000 lbs								METRIC Measurements Unit: Metric tons							
Bucket hinge height		9' 10"		13' 11"		16' 4"		19' 8"		3.0 m		4.0 m		5.0 m		6.0 m	
		End	Side	End	Side	End	Side	End	Side	End	Side	End	Side	End	Side	End	Side
9' 10" / 3.0 m	Supported	-	-	5.26	4.38	3.68	3.17	3.39	2.20	-	-	2.39	1.99	1.67	1.44	1.54	1.00
	Traveling	-	-	4.03	4.18	2.88	2.97	1.91	2.07	-	-	1.83	1.90	1.31	1.35	0.87	0.94
4' 11" / 1.5 m	Supported	8.24	6.28	4.91	4.16	4.21	2.97	4.21	2.13	3.74	2.85	2.23	1.89	1.91	1.35	1.91	0.97
	Traveling	5.71	5.99	3.68	3.98	2.57	2.77	1.85	1.98	2.59	2.72	1.67	1.79	1.17	1.26	0.84	0.90
0 / 0	Supported	9.56	6.17	5.75	3.81	4.36	2.77	3.50	2.09	4.34	2.80	2.61	1.73	1.98	1.26	1.59	0.95
	Traveling	5.22	5.73	3.39	3.61	2.42	2.62	1.76	1.91	2.37	2.60	1.54	1.64	1.10	1.19	0.80	0.87
-3' 3" / -1.0 m	Supported	1.00	5.79	6.19	3.76	2.71	2.68	3.13	1.98	2.63	2.81	1.71	2.14	1.22	1.42	0.90	-
	Traveling	5.01	5.48	3.24	3.50	2.33	2.51	1.71	1.87	2.30	2.49	1.47	1.59	1.06	1.19	0.78	0.85

All values in lbs x 1,000 and metric tons (t) were determined according to SAE J 1097 and include a stability factor of 1.33 or 87% of the hydraulic lifting capacity. In each case, the smaller value is indicated. All values were determined with load hook. In the event of an attached bucket the difference weights bucket minus load hook must be deducted from the permissible payloads. When used for crane operations, excavators must be equipped with hose-rupture safety valves and overload warning device.



TEREX Construction Americas

8800 Rostin Road
Southaven, MS 38671
USA

TEL 662-393-1800
SALES 866-837-3923
PARTS & TECH SUPPORT 888-201-6008
FAX 662-393-1700
EMAIL sales@terexca.com
WEB terexca.com

For more information, product demonstration, or details on purchase, lease and rental plans, please contact your local TEREX Distributor.